

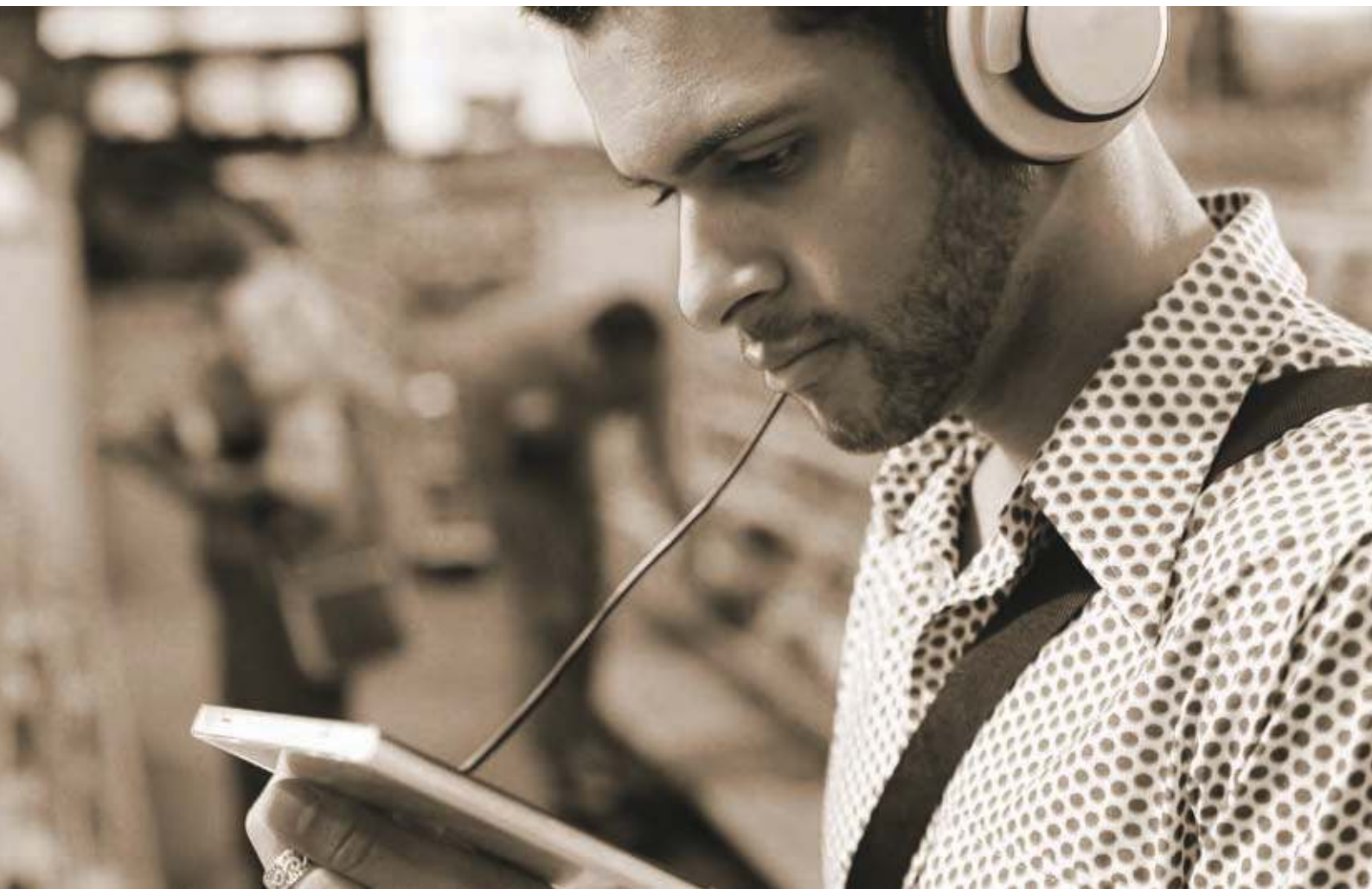
Z-7010 *EasyCheck*

Windows CE.NET Fixed Computer

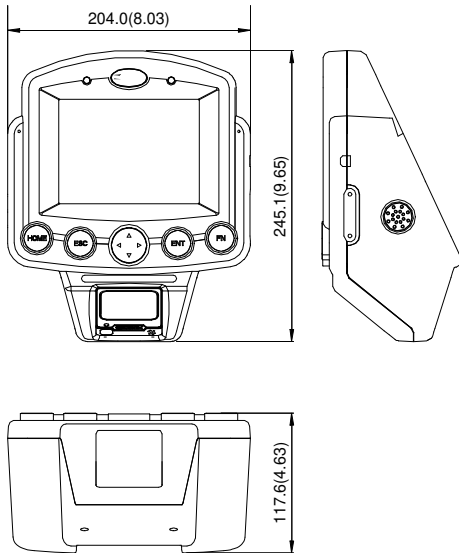
TaxCode
INFOSOLUTIONS



- Superior CPU performance
- Powerful Microsoft® Windows® CE.NET 5.0 operating system
- Smart and rugged design
- 5.7" TFT VGA color display with touch panel
- Expandable interfaces for extra storage
- Supports in Power over Ethernet (PoE) technology
- Complex functionalities to match in all possibilities
- Fully flexibility in programmability and extendibility

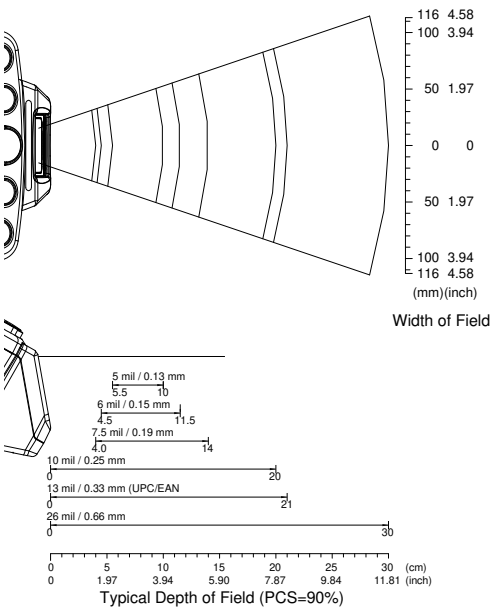


[Dimensions]



Unit: mm(inch)

[Scan Field]



[Specifications]

SYSTEM

CPU	Intel PXA 270 520 MHz processor
Operating System	Microsoft® Windows® CE.NET 5.0
RAM	64MB, upgradeable to 128MB
ROM	64MB
Display (LCD)	5.7" TFT VGA 640x480 color display with touch panel
Back Light	LED back light
Keypads & Buttons	Five keys: HOME, ESC, Up/Right/Down/Left, ENT (Enter), FN (Function)
Audio	Two speaker output

INTERFACE

Ethernet	10/100 Mbps Ethernet (PoE)
USB	USB version 1.1 Host for external device (back); USB version 1.1 Client for external device (side)
RS-232	Programmable up to 115,200 bps

EXPANSION SLOT

C/F Card Slot	One compact flash Type II card slot
SD I/O Card Slot	One SD I/O card slot, for extended to Bluetooth® or IEEE802.11b/g

POWER

AC Adaptor	9V-DC, 2A, 110V/220V input AC-auto selecting
Backup Battery	3.7V, 120mAh, Lithium-Ion rechargeable battery

SCANNER

1D Scanner	A-50M Omnidirectional Laser Scan Module
2D Scanner	2D image scan module
RFID Reader	HF or UHF

PHYSICAL

Dimensions	(L)245.1 x (W)204.0 x (H)117.6 mm
Weight	Approx. 1,400 g

ENVIRONMENTAL

Operating Temperature	0°C – 50°C (32°F – 122°F)
Storage Temperature	-10°C – 60°C (14°F – 140°F)
Operating Humidity	10% – 70% RH (non-condensing)
Storage Humidity	5% – 70% RH (non-condensing)

REGULATORY

EMC	CE & FCC Part 15B, 15C
------------	------------------------

[Model Selections]

Model	Scanner	WLAN	Ethernet	Bluetooth®
Z-7010BA	Optional	Expandable	Ⓛ	Expandable

[Accessories]

- AC adaptor DC 9V, 2A
- RS-232 cable, RJ45 converts to 9 pin D-sub female (optional)
- USB cable, B type converts to A type (optional)
- Wall-mounting kit
- Wall-mounting outrigger (optional)

